

## OPERATION & SAFETY MANUAL



**! WARNING**

*These instructions are for your personal safety. Always ensure that you have read and understood these instructions before using the machinery.*  
**SAVE THESE INSTRUCTIONS FOR FUTURE REFERENCE.**

# TABLE OF CONTENTS

SAVE ALL WARNINGS AND INSTRUCTIONS FOR FUTURE REFERENCE

TOPIC	PAGE
Safety Information	3
General Machine Safety Information	4
Environment, Transport, Storage & Disposal	5
General Information	6
Technical Data	7
Chargers and Power Plugs	7
Safety Features	7
CE Declaration of Conformity	8
Operating Instructions	9
Before Operation	9
Starting & Using the Machine	9
Charging the Machine	11
Maintenance Programme & Warranty Periods	12
Maintenance	13
Cleaning the machine	13
Tightening the hinges	13
Tightening the belt	14
Accessories & Spare Parts	15
Troubleshooting Flowchart	16
Warranty Policy & Procedure	17

To watch practical demonstration videos, take a course, or to download an electronic copy of these Instructions, please visit [www.picoteinstitute.com](http://www.picoteinstitute.com). Please note that videos and courses are not intended as a replacement or alternative to this operating and safety manual, but only as an additional learning tool.

# SAFETY INFORMATION

SAVE ALL WARNINGS AND INSTRUCTIONS FOR FUTURE REFERENCE

## **WARNING**

*This section contains important safety information. Failure to comply could result in serious injury.*

## Safety Symbols

Safety symbols are used throughout this manual to draw attention to potential hazards.



**Danger** risk of serious injury, follow instructions.



**Danger** risk of serious injury from rotating parts, follow instructions.



**Danger** risk of entanglement.

**Do not operate this machine unless long hair has been confined. Do not wear loose clothing, gloves, jewellery or other items which can become entangled.**

## Personal Protective Equipment (PPE)

Always use Personal Protective Equipment including suitable protective clothing, footwear, plus:



Suitable eye protection to protect against chemicals from irritating eyes.



Suitable gloves to help prevent any contact with chemicals.

**Do not use gloves which can become entangled.**



Suitable respirator to prevent any dust or fumes being inhaled or consumed, which could cause occupational asthma or dermatitis.

# GENERAL MACHINE SAFETY INFORMATION

SAVE ALL WARNINGS AND INSTRUCTIONS FOR FUTURE REFERENCE

## **WARNING**

*This section contains important safety information. Failure to comply could result in serious injury or death.*

**Always read all safety warnings and instructions.** Failure to follow warnings and instructions may result in electric shock, fire and/or serious injury.



### **1. Always wear eye and chemical resistant gloves.**

Other personal protective equipment, such as dust mask, gloves and overalls should be worn when necessary. Do not wear loose clothing when using the machine. **Always wear appropriate personal protective equipment. Do not use gloves which can become entangled.**

2. Always ensure that the machine is fully turned off before inspection, maintenance, or installing any accessories to the machine. Always follow the instructions in the manufacturer's manual.

3. **Before each use** inspect the machine carefully for any potential break or damage. **Change damaged parts immediately.**

4. When in use, it is very important that the machine is stable and on an even surface at all times.

5. **Never leave the machine running unattended.**

6. Only operate the foot pedal or OPC as instructed. Never place anything on it in place of a foot.



7. **Never touch rotating parts.** Do not sit on the machine.

8. Only use this machine with the accessories and spare parts offered by the Picote Solutions. Accessories and spare parts should only be used in the manner intended and as described by Picote Solutions.

**⚠ WARNING** This section contains important safety information. Failure to comply could result in serious injury or death

### ENVIRONMENTAL

<b>Operational Ambient Temperature Range:</b>	-20 °C to +60 °C (-4 °F to +140 °F) frost and condensation free
<b>Charge Ambient Temperature Range:</b>	0 °C to +45 °C (32 °F to +113 °F) frost and condensation free
<b>Storage Ambient Temperature Range:</b>	-20 °C to +45 °C (-4 °F to +113 °F) frost and condensation free
<b>Maximum Altitude:</b>	2000m or 6500 ft. Derate above 1000m or 3280ft: 1% / 100m or 328ft
<b>Maximum Humidity:</b>	95% non-condensing

### TRANSPORT

The Midi Roller should be transported laid down or attached to the Picote Wet-Out Station and secured with ratchet straps to prevent any sudden movements or accidents caused by hard braking or accident. Always use a suitable cover to protect the unit from the elements.

### STORAGE

The Midi Roller should be stored indoors to protect it from rain and sunlight and somewhere with a constant ambient temperature. The best way to store the machine is to use the box that the unit was shipped in.

**If the machine has been stored in an environment colder than +10 °C or +50 °F, the machine should be stood at room temperature for 24 hours before use.**

If the machine has been stored for long periods of time (over 2-3 months), it should be checked and tested according to the maintenance programme before use.

Charge the machine battery to around 80% capacity before storing for long periods.

**NEVER leave the unit unattended while it is charging.**

### DISPOSAL

Midi Roller motor, control box, battery charger and electric wires, can be disposed of in Europe at Waste Electrical and Electronic Equipment (WEEE) collection points.

The roller, bottom plane and name plate can be recycled in metal waste collection points. The frame can be disposed of as plastic waste.

Always follow local waste handling rules and regulations.

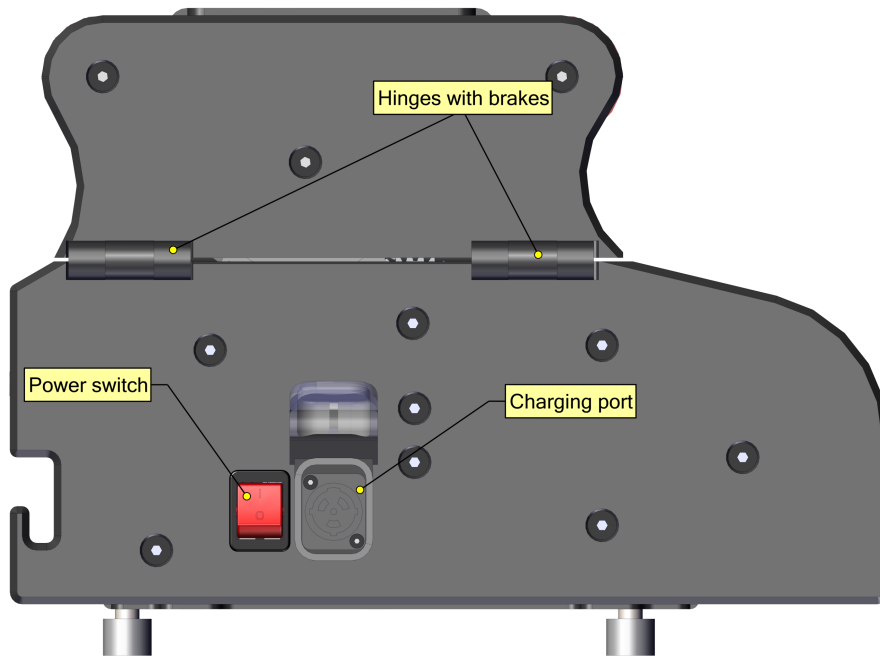
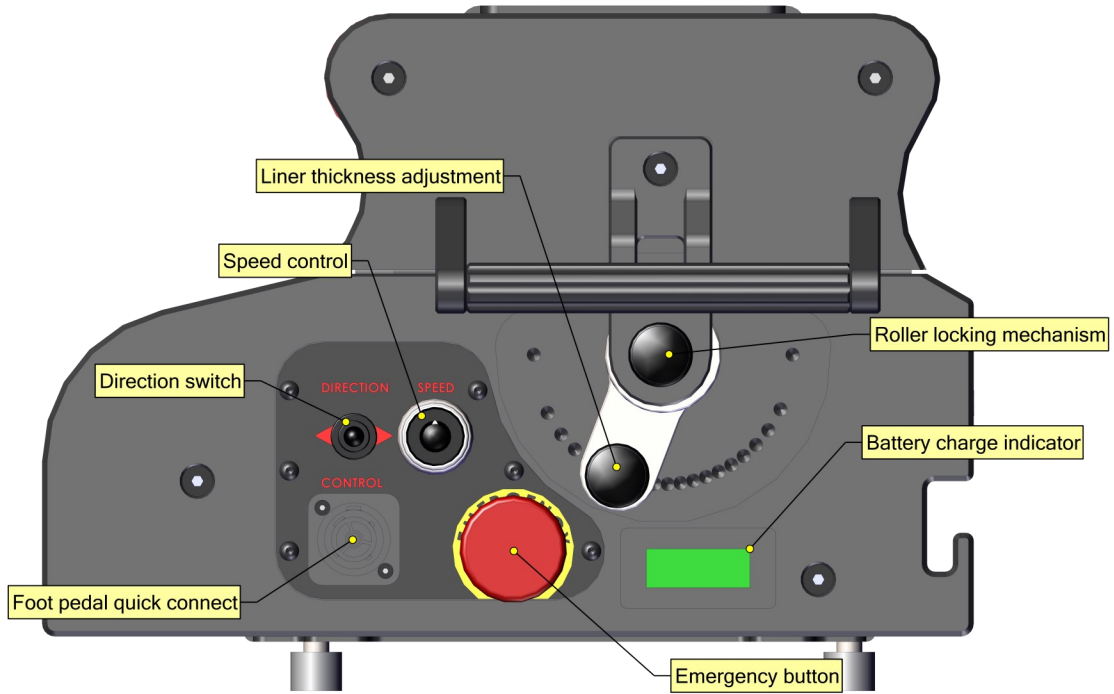
Recycle Li-ion batteries according to local regulations.

**Do not dispose of in fire! Do not puncture!**



# GENERAL INFORMATION

SAVE ALL WARNINGS AND INSTRUCTIONS FOR FUTURE REFERENCE



# TECHNICAL DATA

SAVE ALL WARNINGS AND INSTRUCTIONS FOR FUTURE REFERENCE

Model	Size (mm/inches)	Liner size	Rotating (m/min) (ft/min)	Power Source	Weight (kg/lbs)
Midi Roller	360x465x284 14"x18"x11"	Up to DN225/9" liner	9 m/min 29.5 ft/min	Electric Motor	18 / 40

## CHARGER AND POWER PLUGS

The Machine is supplied with a universal charger with a voltage range of 90V AC ~ 264V AC.

**220-230V:** EU Type C  
UK Type G Plug  
AUS Type I Plug

**110-125V:** US Type A plug.

## SAFETY FEATURES



**The machine is equipped with an Emergency Switch Off Button.** The power supply to the motor is cut off when the Emergency Switch Off Button is pushed. Always turn off the machine when performing any maintenance or repairs to the machine.

**The machine is operated by foot pedal (Operator Presence Control or 'OPC').** When the control is not held down, the machine stops. Never place any kind of object on the pedal in place of a foot (such as a brick).

# CE DECLARATION OF CONFORMITY

SAVE ALL WARNINGS AND INSTRUCTIONS FOR FUTURE REFERENCE

We Picote Solutions Oy Ltd as the responsible manufacturer, declare that the following Picote Solutions Oy Ltd liner wetting machine:

**Picote Midi Roller**

**Model No: Midi Roller 230V, Midi Roller 110V**

are of series production and

**Conform to the following EU Directive:**

2006/42/EY

2014/30/EU

2014/35/EU

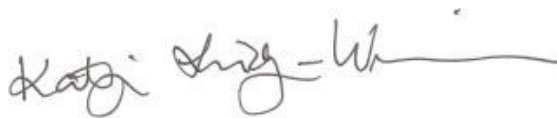
And is manufactured in accordance with the following standards or standardised documents:

EN 62841-1:2014

The technical documentation is kept by our authorised representative in Europe who is:

Picote Solutions Oy Ltd, Pienteollisuustie 24  
06450 Porvoo, Finland

5th November 2021



Katja Lindy-Wilkinson

C.E.O.

Picote Solutions Oy Ltd  
Pienteollisuustie 24, 06450 Porvoo, Finland



# OPERATING INSTRUCTIONS

SAVE ALL WARNINGS AND INSTRUCTIONS FOR FUTURE REFERENCE

## BEFORE OPERATION:

**⚠ WARNING** - Before cleaning, maintaining the or attaching the Midi Roller to the Picote Wet-Out Station always make sure that the machine is fully turned off and the battery charger unplugged.

**⚠ CAUTION** - Consult accessory operating manuals (Picote Wet-Out Station) for detailed information.

## While in operation:

Always lay the machine down horizontally on the floor. Do not sit or stand on the machine.

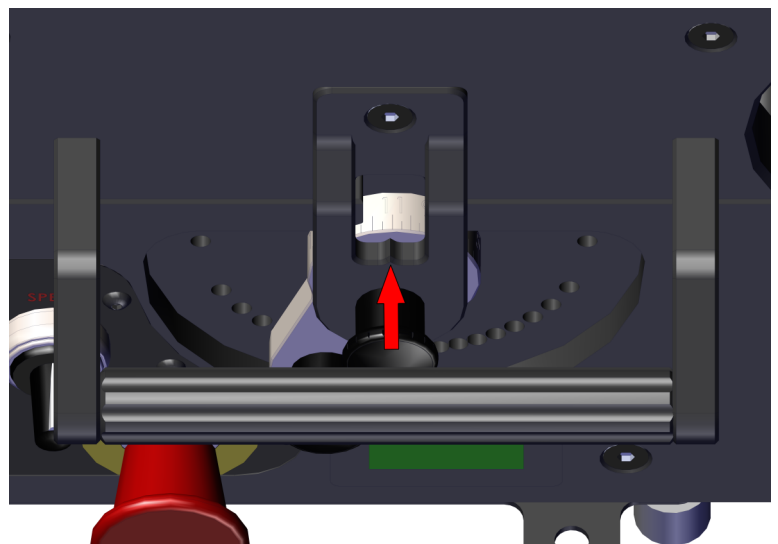
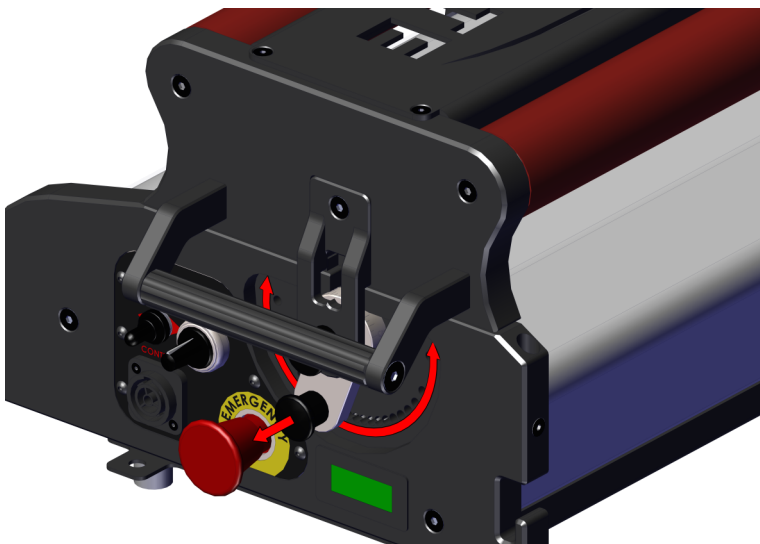
## STARTING & USING THE MACHINE

**⚠ WARNING** *This section contains important safety information. Failure to comply could result in serious injury*

The machine has an operator presence control or 'OPC'. When the control is not held down, the machine stops. The machine can also be stopped by pushing the Emergency Stop Button down or by flipping the power switch.

The rotational speed control is located on the control panel. The rotational speed can be set at speed levels from 1 to 10.

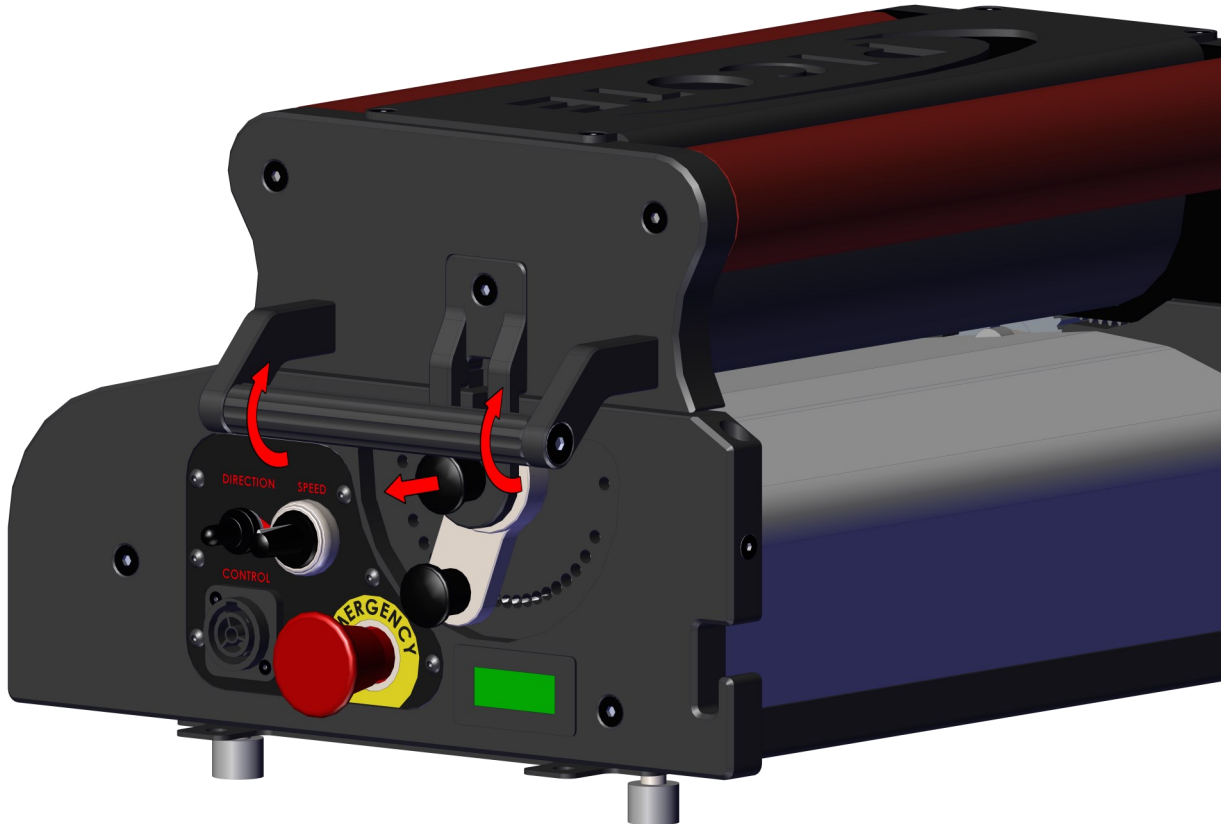
1. Prepare the liner.
2. Select the desired liner thickness by pulling the index plunger and turning it.



# OPERATING INSTRUCTIONS

## SAVE ALL WARNINGS AND INSTRUCTIONS FOR FUTURE REFERENCE

3. Open the upper roller assembly and place the liner between the roller and then close the roller assembly.



4. Turn on the power. See page 6.
5. Release the Emergency Off Switch Button.
6. Select desired speed, direction.
7. The machine starts when the OPC foot pedal is pressed down. Always keep your hands clear from the moving parts when operating the machine.
8. Guide the liner further away from the rollers if needed.
9. To do multiple passes, open the roller assembly, move the resin deposit to other side of the roller and change direction.

There is an overload protection on this machine. If the machine is overloaded the motor stops. Release the foot pedal and press it again to continue working. Avoid overloading the motor. If the machine trips continuously, consider increasing the liner thickness setting for the first pass. If the motor overloads with minimum load, contact your reseller or a Picote Service Centre.

# OPERATING INSTRUCTIONS

## SAVE ALL WARNINGS AND INSTRUCTIONS FOR FUTURE REFERENCE

### CHARGING THE MACHINE

To charge the machine plug the provided charger in to the charging port.

Charger light solid **GREEN**— Battery is full or battery disconnected

Charger light solid **RED**— Battery charging

Charger light solid **ORANGE**— Battery wake up mode active

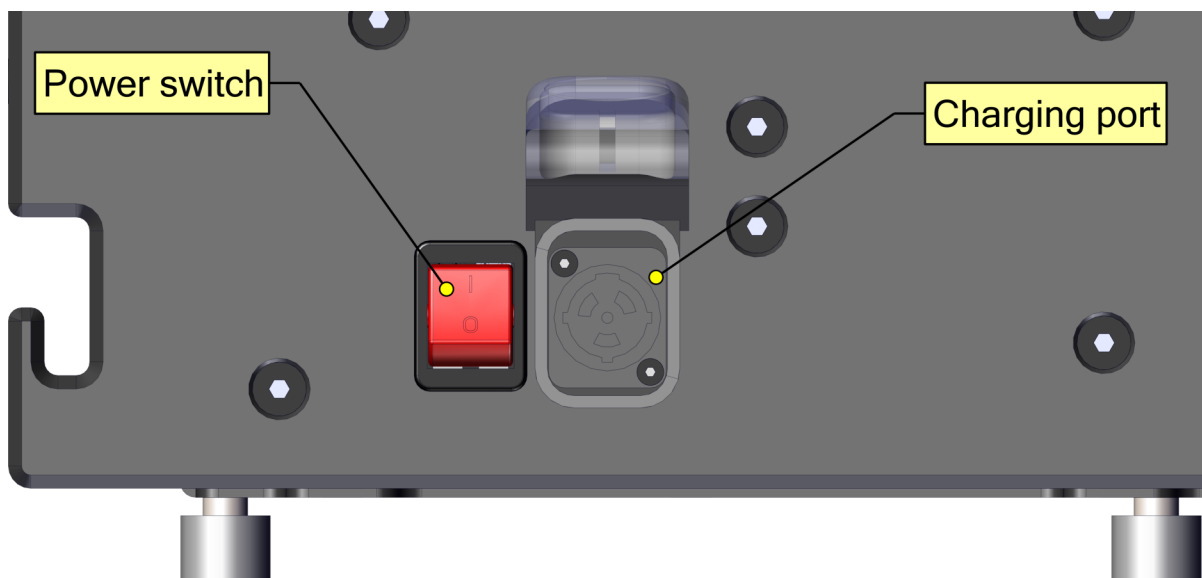
Charger light blinking **RED**—Battery error

If charger is blinking **RED** and the machine doesn't turn on, the battery is most likely in low voltage protection mode. To wake up the battery and start charging follow these instructions:

1. Make sure the machine is turned ON (switch upwards)
2. Plug the charger in wall socket
3. Wait for charger light to turn from solid **GREEN** to solid **ORANGE** and connect charger to machine.
4. **ORANGE** light should turn solid **RED** after a while. The battery is now charging.

**NOTE!** If **RED** light starts to blink restart the process, but try to turn off the battery indicator. If process fails multiple times, contact reseller or Picote Solutions.

**NOTE!** If the charger blinks **RED** and **GREEN** while charging, the battery has overheated. Let the battery cool down first.



# MAINTENANCE PROGRAMME & WARRANTY PERIODS

SAVE ALL WARNINGS AND INSTRUCTIONS FOR FUTURE REFERENCE

Maintenance task	Weekly	Every other week	Monthly
Tightness of the belt		I	
Condition of the screws			I
Tightness of the hinges		I	
Clean the belt	P		
Operation of the E-Stop	I		

I: Inspect, fix or replace if needed.

P: Perform, replace if needed.

## WARRANTY PERIODS

Picote Solutions Oy Ltd grants limited warranty for certain machines, equipment & components. Read more detailed information on page 17 (Picote Warranty Policy and Procedure).

Service Period	3 months	6 months	1 year
A	Green bar		
B	Yellow bar		
C	Orange bar		

A Machine & spare parts, except:

B Electric motors and battery

C Service Centre repair work

**! WARNING**



1. Before performing any maintenance always check that the machine is **fully turned off and the foot pedal is removed**.
2. Clean the belt and upper roller when it becomes dirty. Sand or other objects that can damage the belt should be removed as soon as possible (weekly check).
3. Check operation of hinges (weekly check)
4. Check that all the bolts and screws on the machine are securely tightened (except for the belt tightening screws. See page 14).

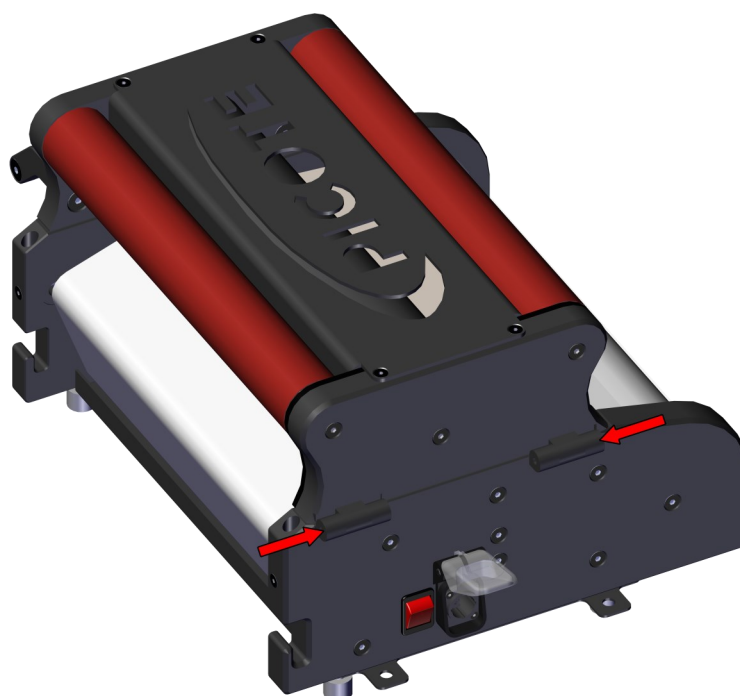
### CLEANING THE MACHINE

**Do not run the machine while cleaning the belt!** To clean the belt completely, the machine needs to be turned on - move the belt to a new position and **turn off** the machine again before cleaning.

**Do not pour or spray water on the machine!** Use a damp cloth to clean the surfaces.

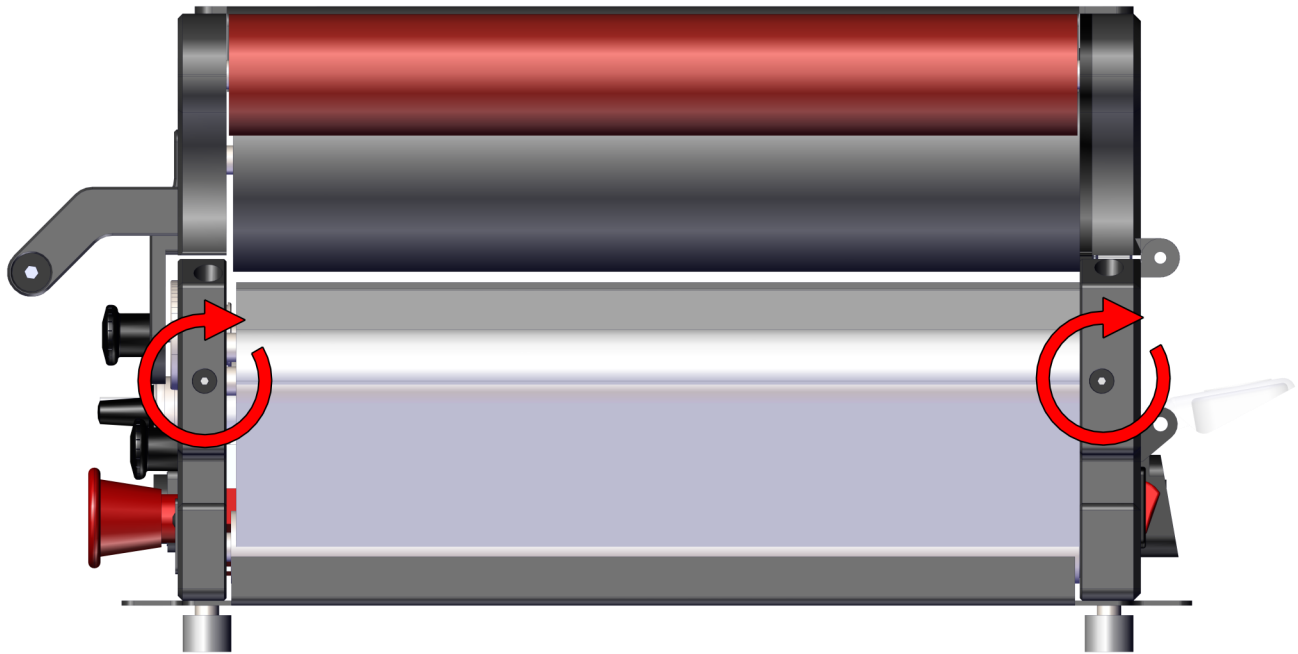
### TIGHTENING THE HINGES

The machine uses hinges with brakes to prevent the upper roller assembly from injuring the user. After some time the hinges will become looser and the operator will need to tighten them. Correct tightness is when the roller assembly can't fold down unless done so by the operator.



### TIGHTENING THE BELT

If the silicone belt starts to slip, it needs to be tightened by turning the tightening screws **clockwise**. It is important to tighten the screws the same amount.



# ACCESSORIES & SPARE PARTS

SAVE ALL WARNINGS AND INSTRUCTIONS FOR FUTURE REFERENCE

## **⚠ WARNING**

Only use Picote Solutions accessories and attachments with the machine described in this operation manual. The use of other accessories or attachments could present a risk of injury or death. The accessories or attachments should only be used in the proper and intended manner, and always follow Picote Solutions instructions.

## **MIDI ROLLER**

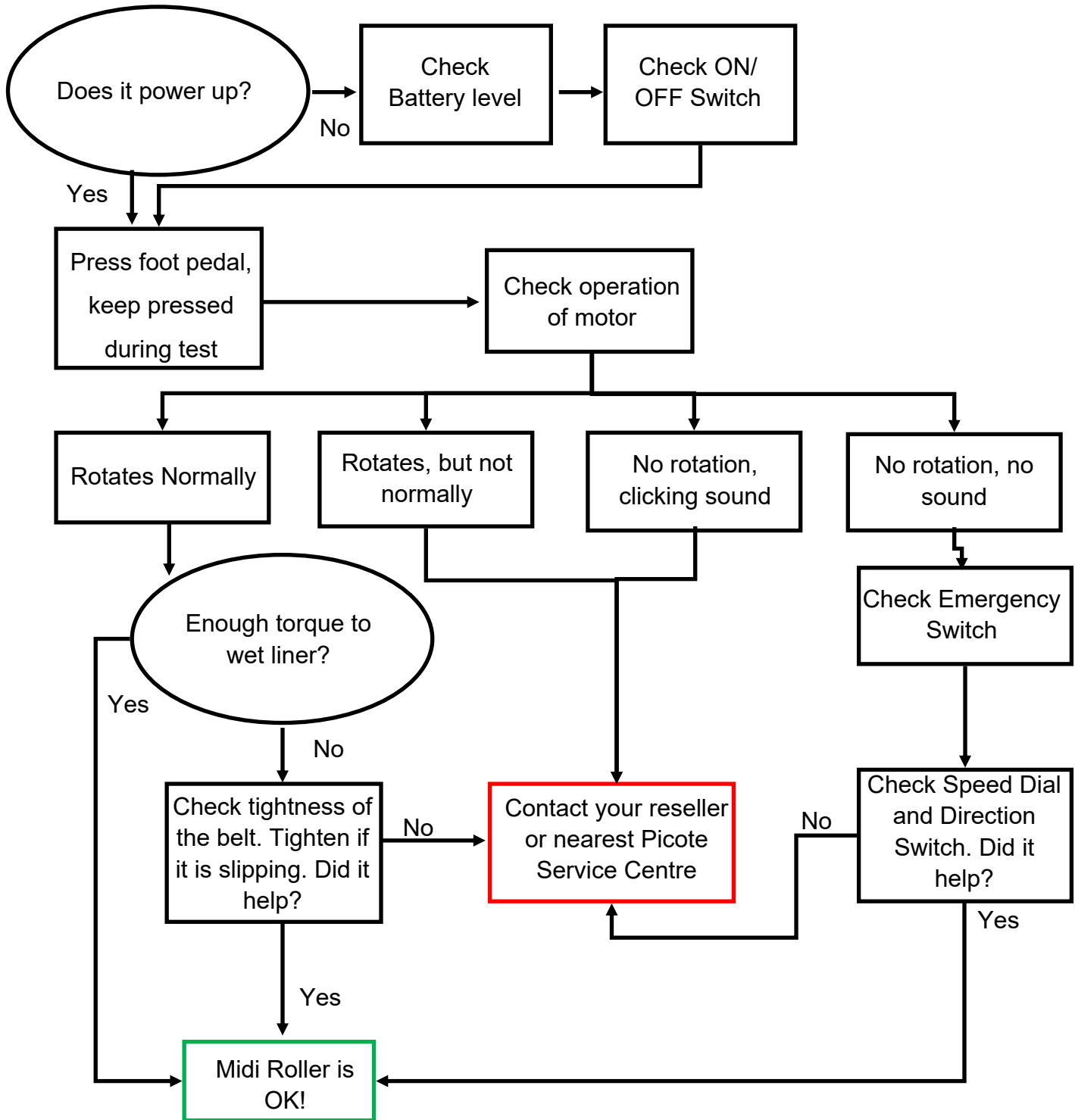
2390000010	Midi Roller with EU charger plug
2390000010UK	Midi Roller with UK charger plug
2390000010US	Midi Roller with US charger plug
2390000010AUS	Midi Roller with AUS charger plug
2390000040	Midi Roller Wet-Out Station
2390000020	Midi Roller (EU) & Wet-Out Station
2390000020UK	Midi Roller (UK) & Wet-Out Station
2390000020US	Midi Roller (US) & Wet-Out Station
2390000020AUS	Midi Roller (AUS) & Wet-Out Station

## **SPARE PARTS**

9440000050EU	24V Battery Charger EU
9440000050UK	24V Battery Charger UK
9440000050US	24V Battery Charger US
9440000050AUS	24V Battery Charger AUS
9590001108	Foot pedal with quick coupling
900002278S	Speed Control knob
9590001080S	Emergency stop
900002307S	Direction Switch

# TROUBLESHOOTING FLOWCHART

SAVE ALL WARNINGS AND INSTRUCTIONS FOR FUTURE REFERENCE



If there is problem that you cannot resolve with this manual, please consult your Picote Reseller or Picote Solutions at [claims@picotesolutions.com](mailto:claims@picotesolutions.com).



# WARRANTY POLICY & PROCEDURE

## SAVE ALL WARNINGS AND INSTRUCTIONS FOR FUTURE REFERENCE

### Limited Warranty:

Picote warrants to the original End User that the Product purchased by such End User will operate in accordance with, and substantially conform to their published specifications when shipped or otherwise delivered to the End User and for a period of one (1) year, except electric motors and batteries for which the warranty period shall be six (6) months, provided, however, that Picote does not warrant any claim or damage under this Warranty if such claim or damage results from:

1. Consumable parts or normal wear and tear resulting from use of the Products,
2. Product overload or overheated motor,
3. Regular periodic maintenance of Products,
4. Misuse, neglect, or improper installation or maintenance of the Products, or use of Products not for their intended purpose,
5. Products that have been altered, modified, repaired, opened or tampered with by anyone other than Picote or an authorized Picote Service Centre, or unsuitable or unauthorized spare parts, accessories or third party products when using the Products or;
6. the use of the Products not in compliance with their respective Documentation, user manuals, safety and maintenance instructions, and any usage restrictions contained therein, or
7. accident, fire, power failure, power surge, or other hazard.

Otherwise, the Products are sold AS IS. End User is responsible for using the Products within their specifications and instructions as contained in the Documentation.

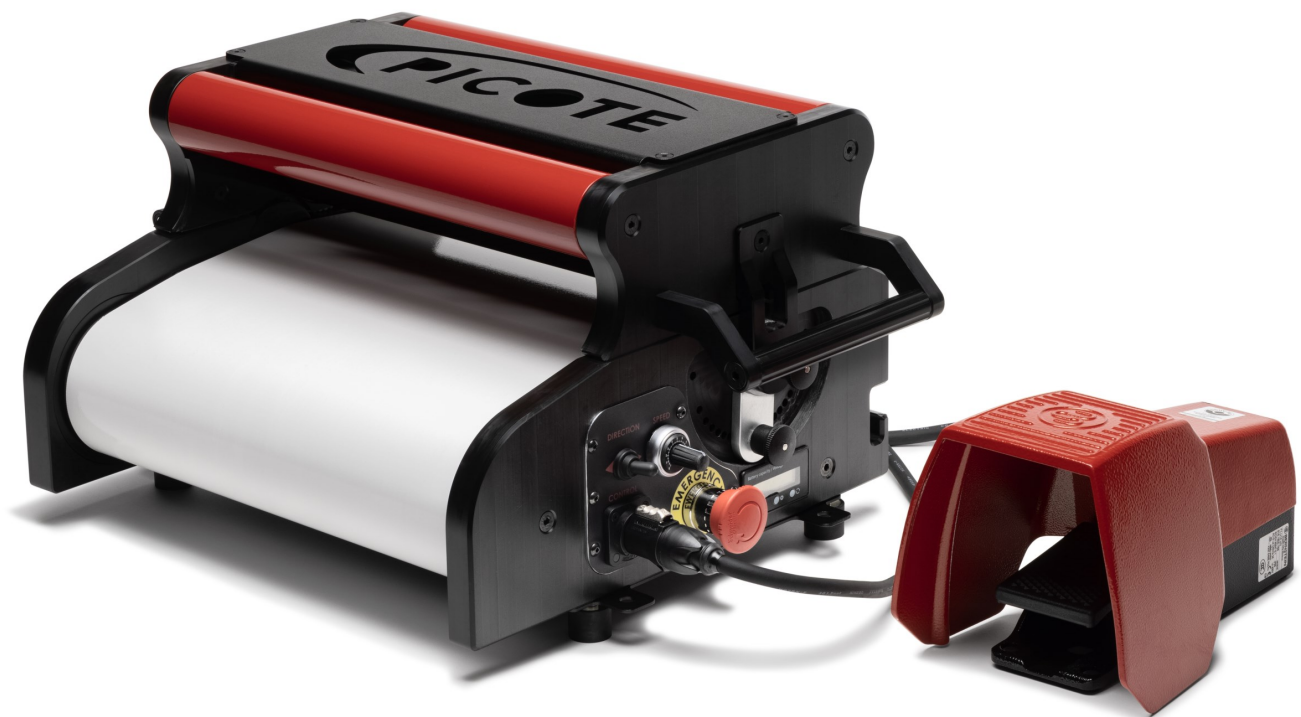
**EXCEPT AS SPECIFIED IN THIS WARRANTY, ALL EXPRESS OR IMPLIED CONDITIONS, REPRESENTATIONS, AND WARRANTIES INCLUDING, WITHOUT LIMITATION, ANY IMPLIED WARRANTY OR CONDITION OF MERCHANTABILITY, FITNESS FOR A PARTICULAR PURPOSE, NON INFRINGEMENT, SATISFACTORY QUALITY OR ARISING FROM A COURSE OF DEALING, LAW, USAGE, OR TRADE PRACTICE, ARE HEREBY EXCLUDED TO THE EXTENT ALLOWED BY APPLICABLE LAW. TO THE EXTENT AN IMPLIED WARRANTY CANNOT BE EXCLUDED, SUCH WARRANTY IS LIMITED IN DURATION TO THE WARRANTY PERIOD. BECAUSE SOME STATES OR JURISDICTIONS DO NOT ALLOW LIMITATIONS ON HOW LONG AN IMPLIED WARRANTY LASTS, THE ABOVE LIMITATION MAY NOT APPLY. This disclaimer and exclusion shall apply even if the express warranty set forth above fails of its essential purpose.**



**Please Contact:**

Your Reseller / Salesperson or Picote

[www.picotegroup.com](http://www.picotegroup.com)



**International Offices**

Finland. United Kingdom. USA.

**Technical Support**

[support@picotesolutions.com](mailto:support@picotesolutions.com)

**Claims**

[claims@picotesolutions.com](mailto:claims@picotesolutions.com)

**Production & R&D**

Pienteollisuustie 24  
06450 Porvoo, Finland  
[support@picotesolutions.com](mailto:support@picotesolutions.com)

**Authorised Resellers:**

[www.picotegroup.com/resellers](http://www.picotegroup.com/resellers)