

CABLES

READY-TO-USE SERIES: TC, TS, ERC
CABLES AND COVERS: RC, RCC

RENSSI
DRAIN CLEANING EQUIPMENT

DATE 12.01.2021
VERSION 02

PRODUCT CODE

TS-(10)-1010-2

tool's identification

TS cable ends

cable size Ø

cable length

cable model

TOOL'S IDENTIFICATION

Every tool has its own code which is used when ordering. Ready-to-use cables are found under codes TC, TS and ERC. Rotating cables and covers are found under code RC and RCC.

CABLE SIZE Ø

0 = 6mm 1 = 8mm 2 = 10mm 3 = 12mm

TS CABLE ENDS

11 = TS cable with both ends crimped
10 = TS cable with tool end crimped
01 = TS cable with rotator end crimped

CABLE LENGTH

1 = 1 meter 10 = 10 meters
Available sizes in stock are 1m, 2m, 3m, 5m, 6m, 8m, 10m, 15m, 20m

CABLE MODEL

1 = Cross Layer cable 2 = Spring Layer cable
(Renssi® is using basically cross layer cable in its products, but we can change the model, if it's mentioned in order)

TOOL INFORMATION

RENSSI TC READY-TO-USE CABLE

MATERIAL

Steel cable(RC), steel sleeves and ball bearing, nylon cover (RCC)

CONNECTORS

T-slide male and female

CABLE SIZE

TC 1000 SERIES Ø 8mm cable, TC 2000 SERIES Ø 10 cable,
TC 3000 SERIES Ø 12mm cable



RENSSI TS READY-TO-USE CABLE

MATERIAL

Steel cable(RC), steel sleeves and ball bearing, nylon cover (RCC)

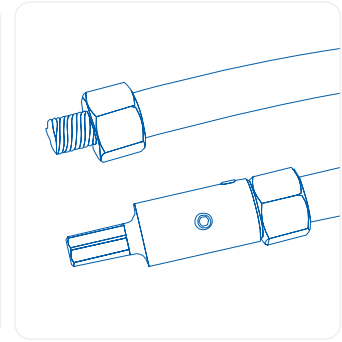
CABLE SIZE

TS 0000 SERIES Ø 6mm cable, TS 1000 SERIES Ø 8mm cable,
TS 2000 SERIES Ø 10 cable, TS 3000 SERIES Ø 12mm cable



ERC READY-TO-USE CABLE

MATERIAL	Steel cable (RC), brass MS coverpipe sleeves, rotator shaft, PEX cover (RCC)
CONNECTORS	Rotator shaft
CABLE SIZE	ERC 0000 SERIES Ø 6mm cable, ERC 1000 SERIES Ø 8mm cable, ERC 2000 SERIES Ø 10 cable, ERC 3000 SERIES Ø 12mm cable



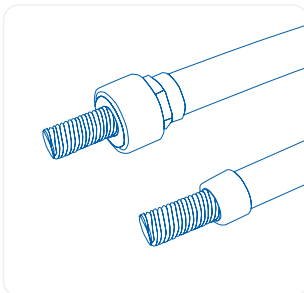
CABLE MODELS

CROSS LAYER CABLE - 1

SPRING LAYER CABLE - 2

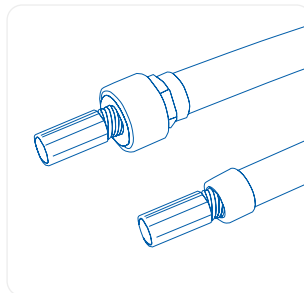


TS CABLE ENDS



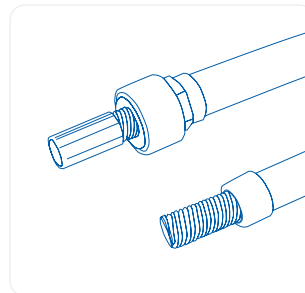
TS

TS cable without crimps.
This is the way we automatically prepare cable.



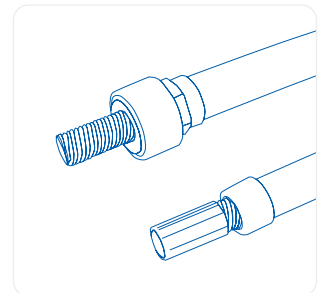
TS-11

TS cable with both end crimped.



TS-10

TS cable with tool end crimped.



TS-01

TS cable with rotator end crimped.

ROTATING CABLES AND COVERS

We sell rotating cables and covers besides the ready-to-use cables. Rotating cables are found under code RC and covers under code RCC.

Renssi Cable collection includes Ø 4mm , Ø 6mm, Ø 8mm, Ø 10mm and Ø 12mm cross layer cables and Ø 8mm, Ø 10mm ja Ø 12mm spring layer cables.

There are two models of covers; Nylon Cover is made of softer nylon and PEX Cover is made of harder PEX. Nylon models includes covers for Ø 4mm , Ø 6mm, Ø 8mm, Ø 10mm and Ø 12mm cables. PEX models includes covers for Ø 6mm, Ø 8mm, Ø 10mm and Ø 12mm cables.

